

# RH136 – Trolley Jack, 1.5 t

Lightweight and fast while ensuring maximum safety



## PRODUCTIVITY

Higher lifting capacity (+ 0.2 t).  
Fast lifting (double pump system).



## SAFETY

Slow and controlled descent speed  
under load thanks to integrated  
safety valve.



## ERGONOMICS

Low product weight  
of only 14.3 kg.

**RC RODCRAFT®**

[www.rodcraft.com](http://www.rodcraft.com)

Thanks to its low weight and integrated automatic lowering mechanism, the Rodcraft RH136 trolley jack is just as suitable for automotive workshops and tire service operations as it is for mobile breakdown services.

The sturdy and maneuverable RH136 trolley jack owes its weight of only 14.3 kg to a combined construction of aluminum and steel. The double hydraulic pump ensures higher working speed and efficiency. This means that vehicles can be lifted significantly faster in workshops or on the go with fewer pumping movements on the tiller compared to standard models with only one pump unit. The RH136 also features the latest safety technology in the hydraulic unit. The integrated safety valve

ensures that the lowering of a vehicle is always controlled and is at a slow speed (0.107 m/s), even if the release valve is fully open. In addition, the trolley jack is also suitable for use with low vehicles. With its underride height of 90 millimeters including the rubber saddle, the jack also fits under vehicles with low ground clearance. Durable steel rollers ensure trouble-free and maneuverable shunting, for example in workshops, when carrying out fast service on the road or at the company's premises.

**Quality | Technology | Service**

# RH136 – Trolley Jack, 1.5 t.

Lightweight and fast while ensuring maximum safety

## PRODUCT BENEFITS



### SAFE

- Slow and controlled descent speed under load, even if release valve is 100% open



### FAST

- Two pumps for fast lifting



### PROTECTION

- Rubber saddle
- Protective sponge



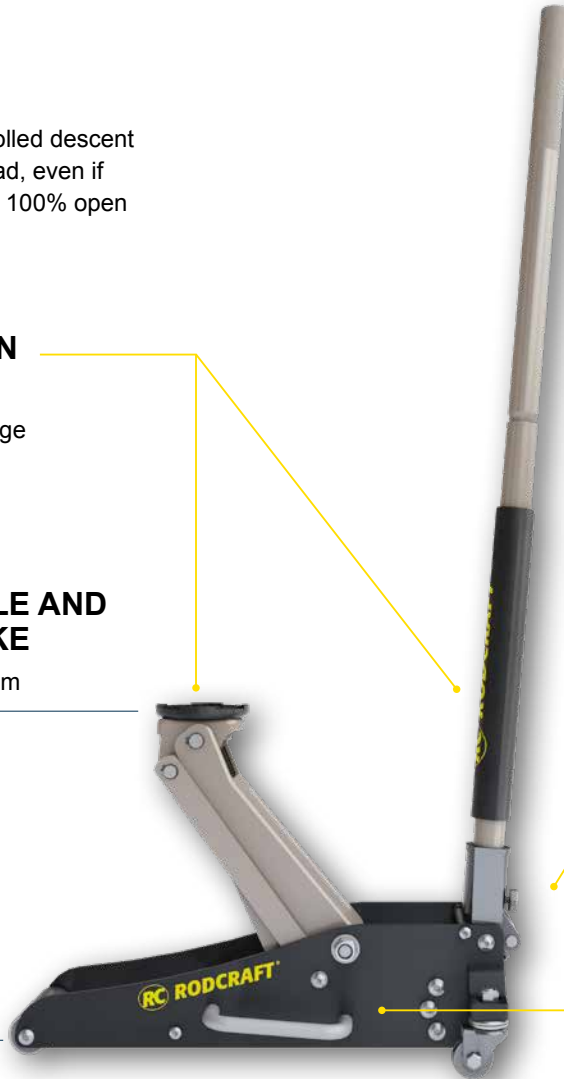
### LIGHTWEIGHT

- Only 14.3 kg (material mix of aluminum and steel -> lightweight but very sturdy and robust)



### LOW PROFILE AND HIGH STROKE

- 90 mm – 360 mm



### EASY TO TRANSPORT

- Side handle for easy carrying

| Product | Part number | Net weight | Min. height | Max. height | Lifting capacity | Controlled speed when lowering under load |
|---------|-------------|------------|-------------|-------------|------------------|---|
| RH136   | 8951000411  | 14.3 kg    | 90 mm       | 360 mm      | 1.5 t            | ✓   |